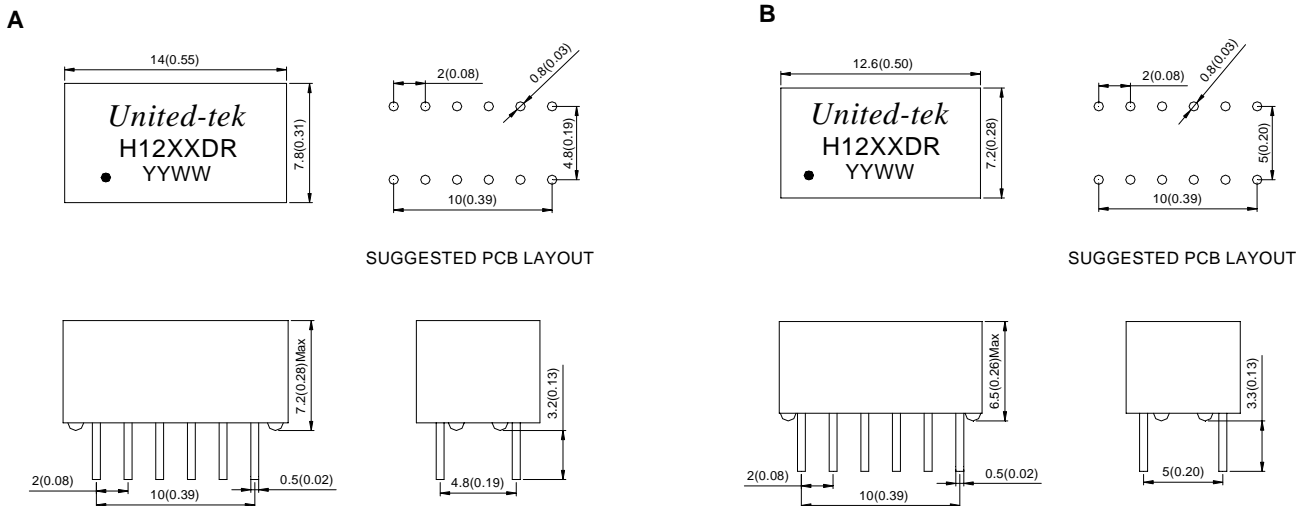


Features

- Compliant with IEEE 802.3 standard.
- Primary inductance: 350uH Min. @ 100KHz, 0.1Vrms, 8mA
- RoHS compliant

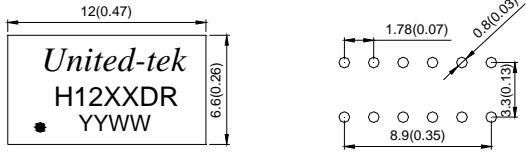
Electrical Specification @ 25°C Operating Temperature 0 to 70°C											
Part No.	Insertion loss	Return loss				CMRR		Cross talk		Isolation	Package
	(dB Max)	(dB Typical .)				(dB Min .)		(dB Min .)		Voltage	
	1-100MHz	MHz				MHz		MHz		(Vrms Min)	
		1-30	40	50	60-80	0.1-60	60-100	0.1-60	60-100		
H1201DR	-1.0	-18	-14.4	-13.1	-12	-42	-40	-40	-38	1500	A
H1202DR	-1.0	-18	-14.4	-13.1	-12	-42	-40	-40	-38	1500	A
H1203DR	-1.0	-18	-14.4	-13.1	-12	-42	-40	-40	-38	1500	A
H1204DR	-1.0	-18	-14.4	-13.1	-12	-42	-40	-40	-38	1500	A
H1205DR	-1.0	-18	-14.4	-13.1	-12	-42	-40	-40	-38	1500	A
H1206DR	-1.0	-18	-14.4	-13.1	-12	-42	-40	-40	-38	1500	A
H1207DR	-1.0	-18	-14.4	-13.1	-12	-42	-40	-40	-38	1500	B
H1208DR	-1.0	-18	-14.4	-13.1	-12	-42	-40	-40	-38	1500	B
H1209DR	-1.0	-18	-14.4	-13.1	-12	-42	-40	-40	-38	1500	B
H1210DR	-1.0	-18	-14.4	-13.1	-12	-42	-40	-40	-38	1500	B
H1211DR	-1.0	-18	-14.4	-13.1	-12	-42	-40	-40	-38	1500	B
H1212DR	-1.0	-18	-14.4	-13.1	-12	-42	-40	-40	-38	1500	B
H1213DR	-1.0	-18	-14.4	-13.1	-12	-42	-40	-40	-38	1500	A
H1214DR	-1.0	-18	-14.4	-13.1	-12	-42	-40	-40	-38	1500	B
H1215DR	-1.0	-18	-14.4	-13.1	-12	-42	-40	-40	-38	1500	A
H1216DR	-1.0	-18	-14.4	-13.1	-12	-42	-40	-40	-38	1500	C

Dimension: mm(inch) +/- 0.25(0.01)

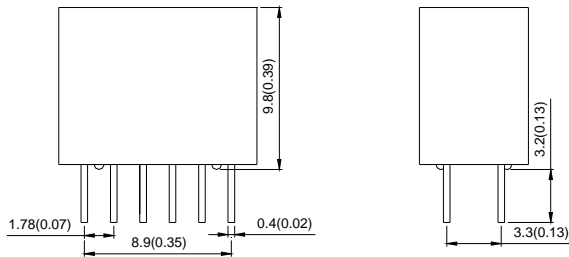


Dimension: mm(inch) \pm 0.25(0.01)

C

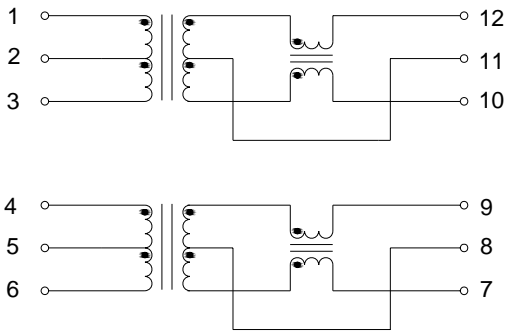


SUGGESTED PCB LAYOUT

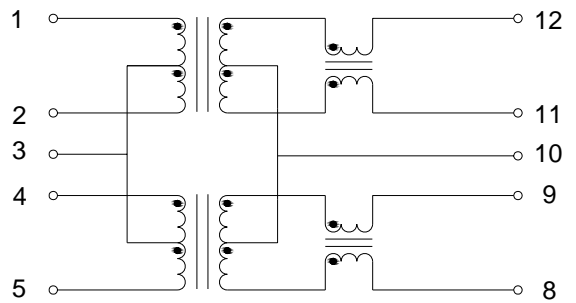


Schematic

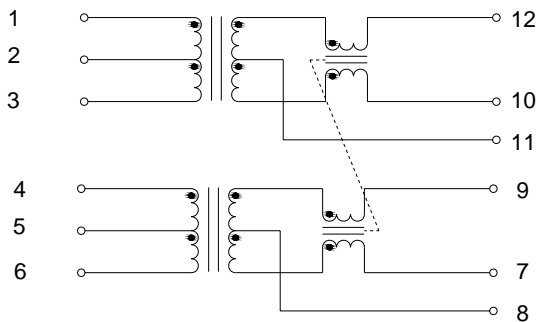
H1201DR, H1207DR, H1216DR



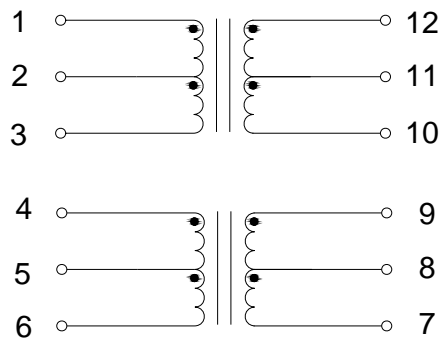
H1202DR, H1208DR



H1203DR, H1209DR

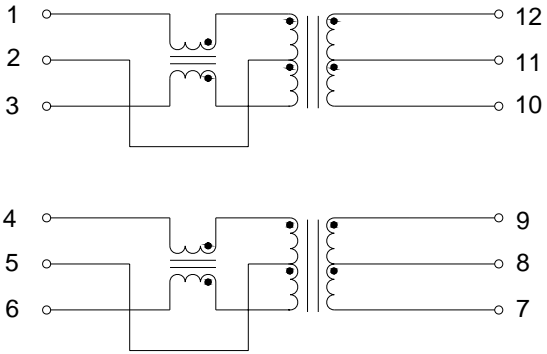


H1204DR, H1210DR

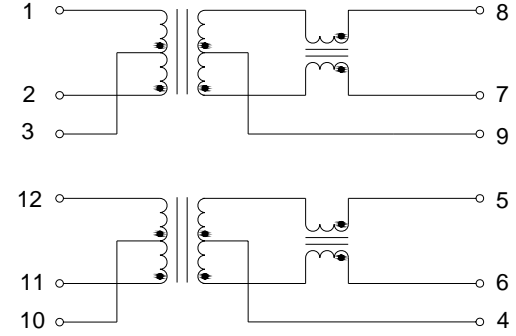


Schematic

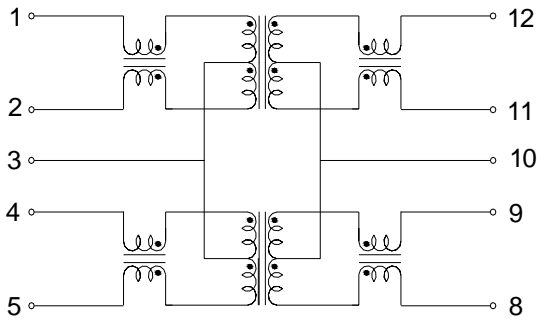
H1205DR,H1211DR



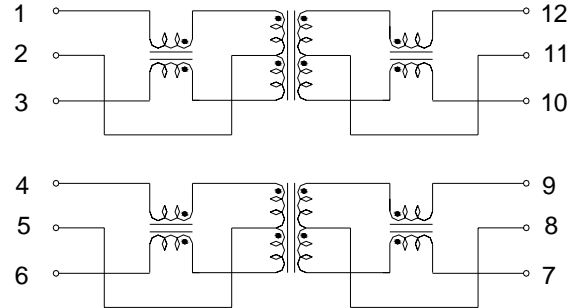
H1206DR,H1212DR



H1214DR



H1215DR



H1213DR

